

# Clarion

**CCD Camera Power Supply Box**  
**CAA-188-200**

Installation Instructions

## 1. Precautions

This equipment has been tested and found to comply with the limits for a Class B digital device, pursuant to Part 15 of the FCC Rules.

These limits are designed to provide reasonable protection against harmful interference in a residential installation.

This equipment generates, uses, and can radiate radio frequency energy and, if not installed and used in accordance with the instructions, may cause harmful interference to radio communications. However, there is no guarantee that interference will not occur in a particular installation.

If this equipment does cause harmful interference to radio or television reception, which can be determined by turning the equipment off and on, the user is encouraged to consult the dealer or an experienced radio/TV technician for help.

### INFORMATION FOR USERS:

**CHANGES OR MODIFICATIONS TO THIS PRODUCT NOT APPROVED BY THE MANUFACTURER WILL VOID THE WARRANTY AND WILL VIOLATE FCC APPROVAL.**

## 2. Package Contents

- |   |  |
|---|--|
| 1. CCD camera power supply box: ..... 1 | 4. Bag of accessories: ..... 1 bag     |
| 2. Selector switch: ..... 1 bag         | Clamp: ..... 1                         |
| AUTO/MANU selector switch: ..... 1      | Tapping screws: ..... 4                |
| Mounting fitting: ..... 1               |  |
| Label: ..... 1                          | 5. Bag of accessories: ..... 1 bag     |
| 3. Bag of accessories: ..... 1 bag      | Connector cable (red): ..... 1         |
| Electro taps: ..... 2                   | Connector cable (light green): ..... 1 |
| Velcro: ..... 1                         | Connector cable (black): ..... 1       |
| Velcro: ..... 1                         | Connector cable (red): ..... 1         |

## 3. Making Connections

### 3-1. System Connection Example

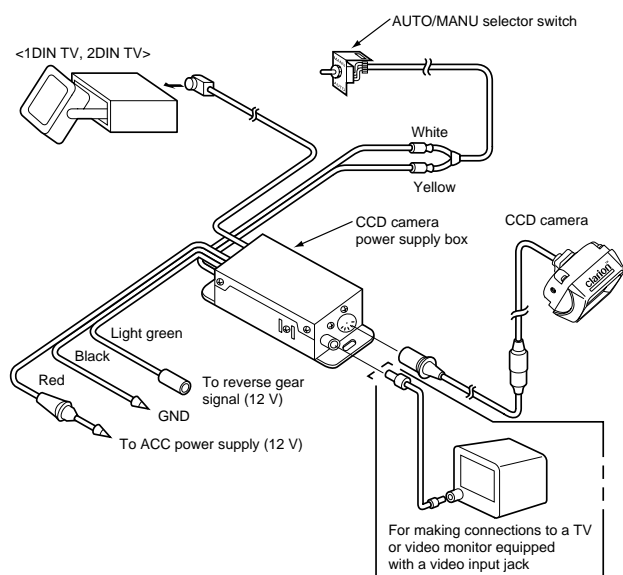


Fig.1

### 3-2. Connecting the Supplied Cables

Hook up the supplied connector cables as shown in Fig. 2.

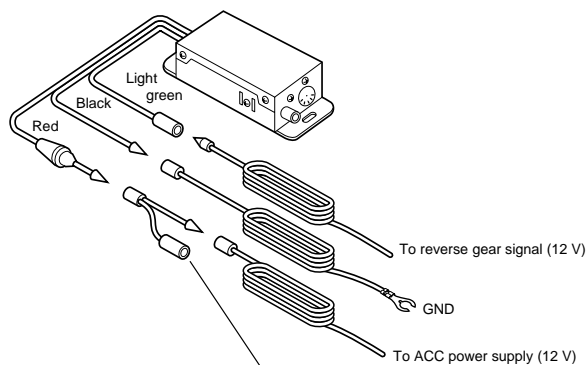
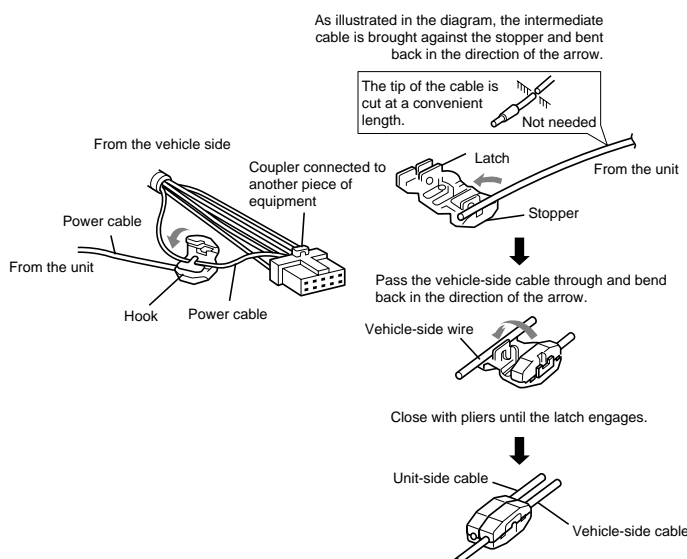


Fig.2

### 3-3. Power Cable Connections

When connection cannot be made to the terminals, use the supplied Electro Tap to make the connection as illustrated in the diagram.



## 4. Mounting Procedure

### 4-1. Mounting the CCD Camera Power Supply Box

Mount the CCD camera power supply box in a location such as under a seat using either the supplied tapping screws (ø4 x 12) or velcro.

#### ■ Mounting Using Tapping Screws

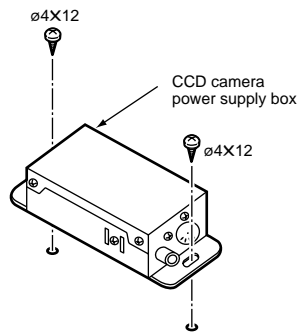


Fig.3

#### ■ Mounting Using Velcro

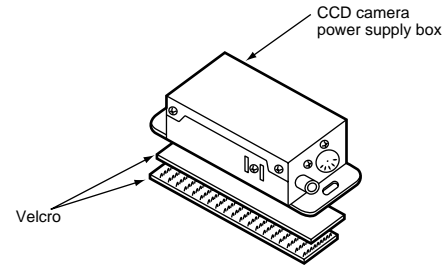


Fig.4

- \* Thoroughly wipe any dirt from the mounting surface.
- \* Remove the separator from the back of the velcro and apply it to the mounting surface.

### 4-2. Mounting the AUTO/MANU Selector Switch

#### ■ Mounting the Switch on the Dashboard

Mount the switch on the dashboard as shown in Fig. 6 using the supplied switch mounting hole (Fig. 5).

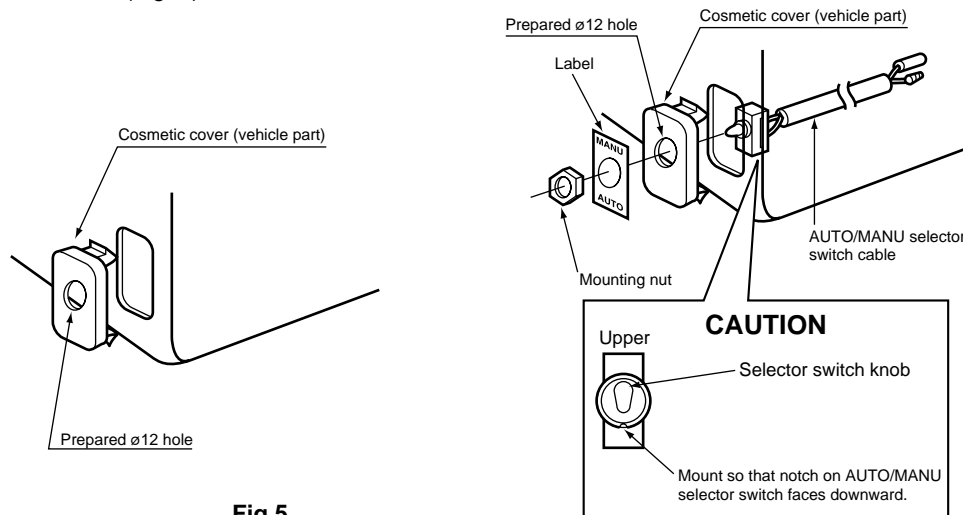


Fig.5

Fig.6

#### ■ Mounting the Switch Below the Dashboard

Assemble the AUTO/MANU selector switch as shown in Fig. 7 and mount it below the dashboard. (See Fig. 8.)

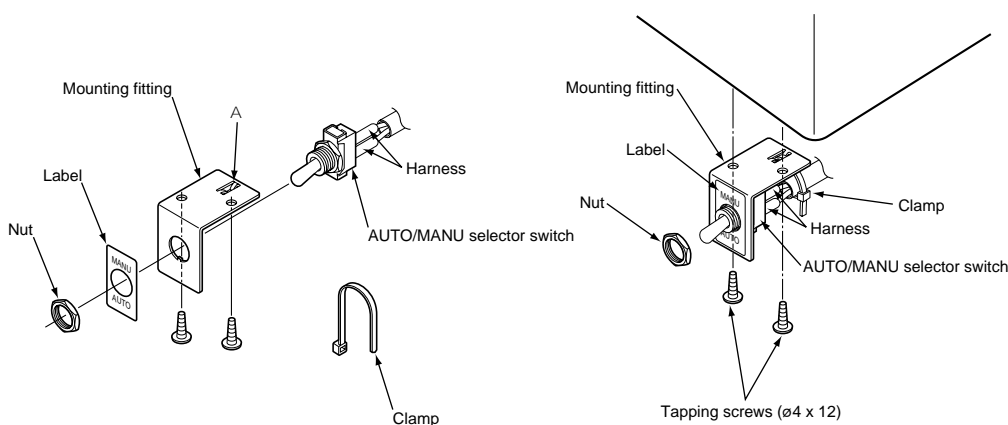


Fig.7

Fig.8

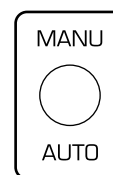
- \* Secure the switch harness to portion A of the mounting fitting using the clip.

## CAUTION

1. If harnesses will come into contact with the sharp edges of metal plates, or the like, protect them using grommets or insulation tubes.
2. Before drilling any holes in a vehicle, make sure that there are no electrical wires, brake fluid pipes, or the like, running behind to surface to be drilled.
3. When installation is complete, test the AUTO/MANU selector switch to make sure it works properly.

#### Explanation of label indications

- MANU (manual) : The CCD camera image is given output priority.
- AUTO (automatic) : Normally, the TV image is output. The camera image is output when the transmission is shifted into reverse.



Clarion Co., Ltd.